

**PLEASE CHECK WWW.MOLEX.COM FOR LATEST PART INFORMATION**

**Part Number:** **0524182090**  
**Status:** **Active**  
**Description:** 2.00mm (.079") Pitch Board-to-Board Receptacle, Right Angle, Single Row, Friction Lock, 20 Circuits, Tube Package

**Documents:**

[3D Model](#)  
[Drawing \(PDF\)](#)  
[Product Specification PS-52418-002 \(PDF\)](#)  
[Product Specification PS-52418-003 \(PDF\)](#)  
[RoHS Certificate of Compliance \(PDF\)](#)

**General**

Product Family PCB Receptacles  
 Series 52418  
 Application Board-to-Board  
 Product Name N/A

**Physical**

Circuits (Loaded) 20  
 Color - Resin Natural  
 Durability (mating cycles max) 30  
 Glow-Wire Compliant No  
 Lock to Mating Part Yes  
 Material - Metal Phosphor Bronze  
 Material - Plating Mating Tin  
 Material - Plating Termination Tin  
 Material - Resin Polyester  
 Number of Rows 1  
 Orientation Right Angle  
 PCB Locator No  
 PCB Retention Yes  
 PCB Thickness Recommended (in) 0.062 In  
 PCB Thickness Recommended (mm) 1.60 mm  
 Packaging Type Tube  
 Pitch - Mating Interface (in) 0.079 In  
 Pitch - Mating Interface (mm) 2.00 mm  
 Plating min: Mating (µin) 36  
 Plating min: Mating (µm) 0.90  
 Plating min: Termination (µin) 36  
 Plating min: Termination (µm) 0.90  
 Polarized to PCB No  
 Surface Mount Compatible (SMC) No  
 Temperature Range - Operating -40°C to +105°C  
 Termination Interface: Style Through Hole - Kinked Pin

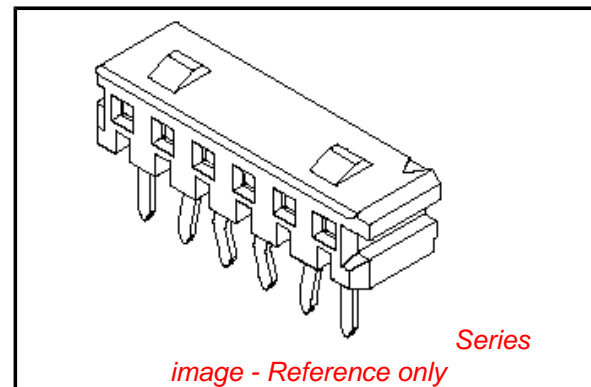
**Electrical**

Current - Maximum per Contact 1.5A  
 Voltage - Maximum 125V

**Material Info**

**Reference - Drawing Numbers**

Product Specification PS-52418-002, PS-52418-003, RPS-52418-001, RPS-52418-004  
 Sales Drawing SD-52418-\*\*90



**EU RoHS**

**ELV and RoHS Compliant**  
**REACH SVHC Contains SVHC: No**  
**Halogen-Free Status**

**China RoHS**



**Not Reviewed**  
**Need more information on product environmental compliance?**

Email [productcompliance@molex.com](mailto:productcompliance@molex.com)  
 For a multiple part number RoHS Certificate of Compliance, [click here](#)

Please visit the [Contact Us](#) section for any non-product compliance questions.

**Search Parts in this Series**

[52418Series](#)

**Mates With**

[53290](#)

This document was generated on 04/16/2010

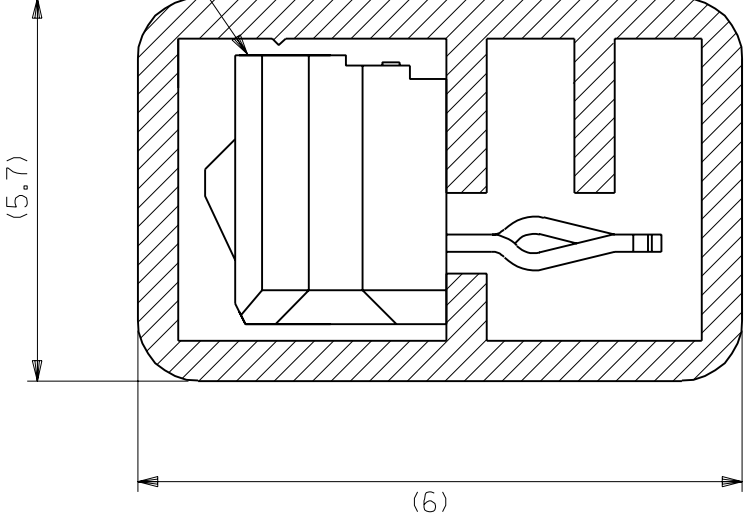
**PLEASE CHECK [WWW.MOLEX.COM](http://WWW.MOLEX.COM) FOR LATEST PART INFORMATION**

ENG. NO  
SD-52418-\*\*-90

EDP NO.

MM : DIMENSIONS IN METRIC DO NOT SCALE DRAWING

REV



52418-\*\*-10

ステイック  
STICK

注 記 NOTES

- ステイック両端はキャップ止め。  
BOTH ENDS WITH CAPS.
- 全長 : 600<sup>+2</sup>  
LENGTH: 600<sup>+2</sup>
- 肉厚 : 0.6  
THICKNESS: 0.6

角度	ANGLE	±3°
以上	OVER	±0.3
10以上	OVER	未満 ±0.25
10未満	UNDER	±0.2
一般公差	GENERAL TOLERANCES	

材料	MATERIAL	ステイック : ポリ塩化ビニル STICK : PVC
仕上げ	FINISH	—#—
適用電線範囲	WIRE RANGE	—#—
被覆外径	INS. RANGE	—#—
DATE	CHK. DATE	DATE
変更内容	REVISION RECORD	DR
変更	REVISED	T.I
新規作成	RELEASED	M.F
記号	LT.R	S.A
日付	DATE	'93/9/23
日付	DATE	'90/7/11
日付	DATE	'93/9/23
日付	DATE	T.I.TO
日付	DATE	S.AIHARA
日付	DATE	M.FUKUSHIMA
日付	DATE	SCALE
日付	DATE	—#—

REVISION ONLY ON CAD SYSTEM

THIS DRAWING CONTAINS INFORMATION THAT IS PROPRIETARY TO MOLEX(JAPAN) AND SHOULD NOT BE USED WITHOUT WRITTEN PERMISSION  
本図面は日本モレックス(株)の所有する情報を含むもので 当社の許可なく複製を禁止する。

13	52418-2090	20
14	- 1990	19
15	- 1890	18
15	- 1790	17
16	- 1690	16
17	- 1590	15
19	- 1490	14
20	- 1390	13
22	- 1290	12
24	- 1190	11
26	- 1090	10
28	- 0990	9
32	- 0890	8
36	- 0790	7
41	- 0690	6
49	- 0590	5
59	- 0490	4
75	52418-0390	3
梱包数	ENG.NO.	極数
QUANTITY		CKT.

MOLEX-JAPAN CO.,LTD.  
日本モレックス株式会社

EDP. NO.

ENG. NO.

SD-52418-\*\*-90

REV

A

TITLE 名称:

STICK PACKAGING

FOR 52418-\*\*-10

524185.05

EN-01(018)MXJ-7